

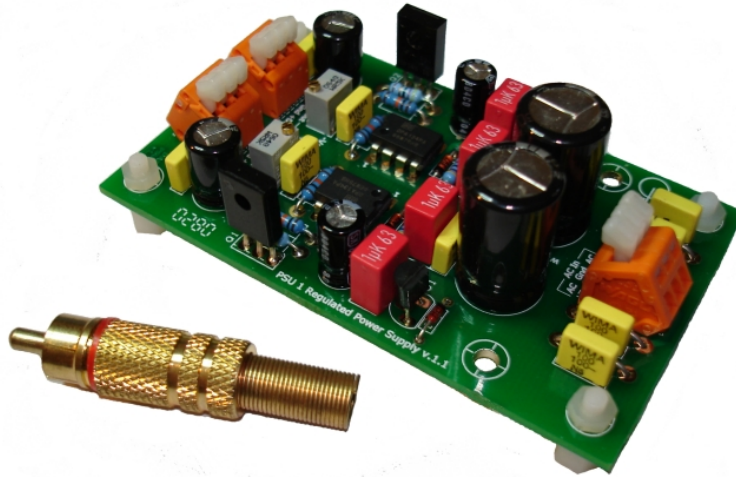


Product Specifications

Last updated 24.05.2008

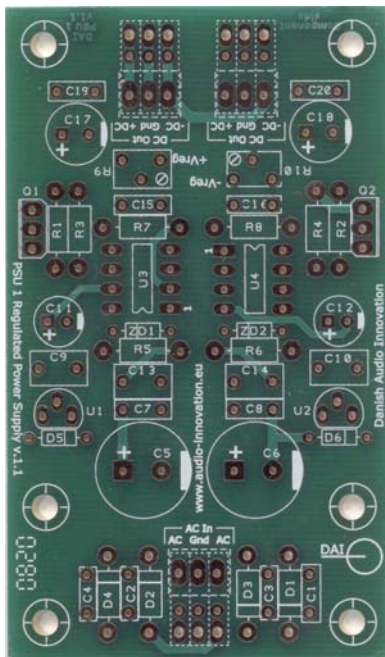
PSU 1

2x80mA stabilized Power Supply
v1.1

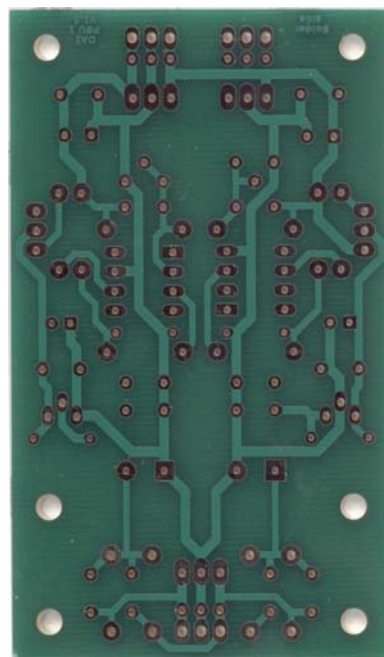


Product use

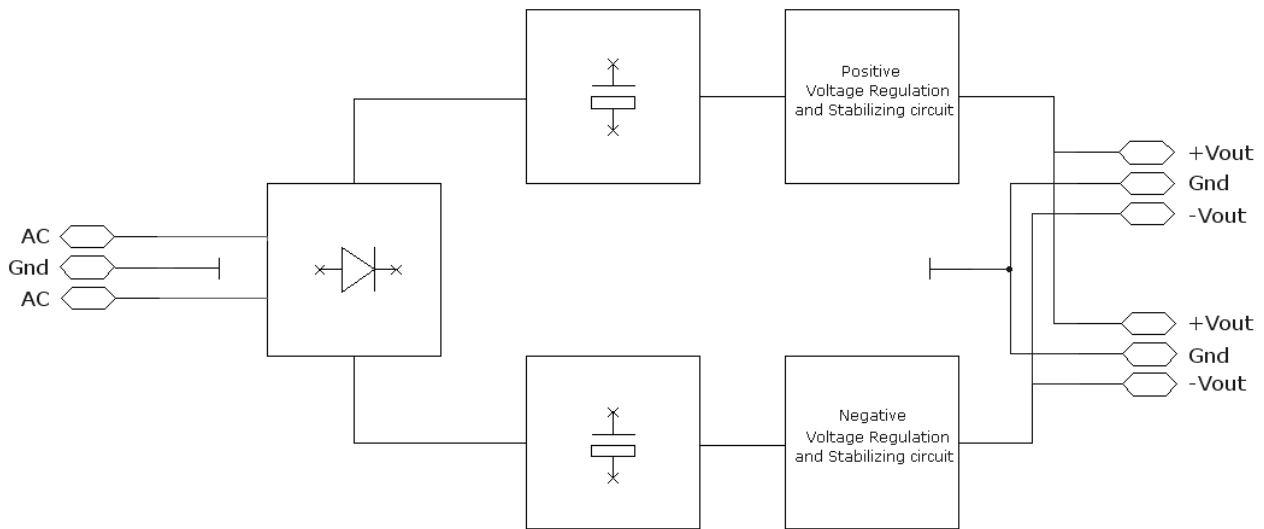
As Low Noise Power Supply for High End Line Level Audio circuits like Buffers, Preamplifiers, Analog Input Switches and all other Line Level Audio circuits running on +/-6 to 21 Volts DC. PSU 1 uses a Sulzer-Borbely type circuit, and provides 2x80mA regardless the Voltage.



Component side



Solder side



Principle of operation (simplified)

Specifications

Output Voltages:	Stabilized +/-6 to 21 Volt DC
Input Voltages:	2x6 to 22 Volt AC or +/-8 to 25 Volts DC
Board size:	50x85 mm (App. 1.97"x3.35").
Comp. recommended:	Resistors: 1% metalfilm, 0.6W Caps: WIMA film/foil caps, Panasonic NHG Type A electrolytic caps BTJs: BD139/BD140 OPAmps: e.g. NE5534 or OPA134 Rectifier diodes: e.g. 1N4942GP UltraFast Rectifier Diodes Regulators: 78Lxx and 79Lxx

General

The PSU 1 uses the Sulzer-Borbely Regulated PSU principle, and has four onboard rectifier diodes for direct AC input. PSU 1 has two output connectors for connection to two circuits. The PSU 1 has internal thermal and overload protection due to the use of regulators.

Layout features

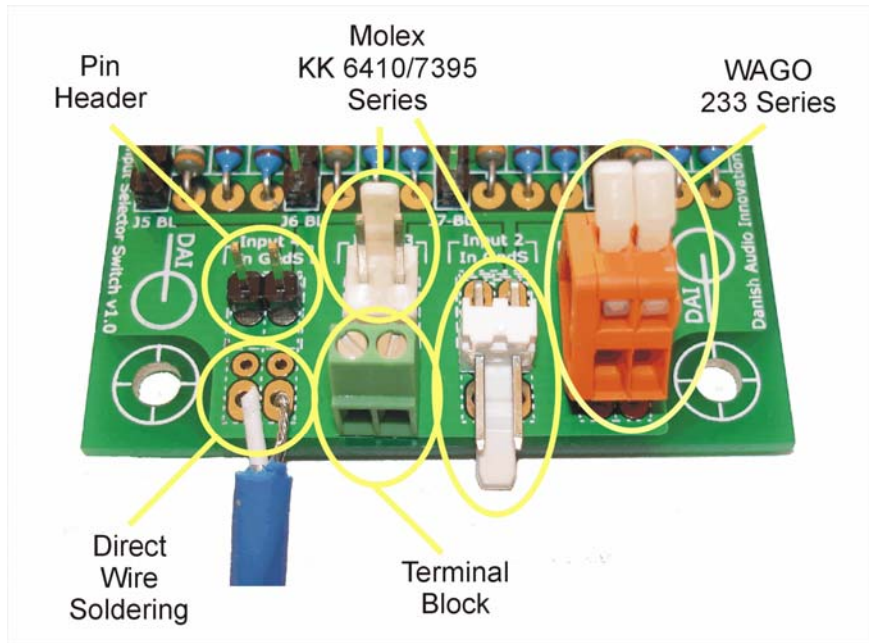
The PSU 1 PCB has two extra holes, which makes it possible to stack our smaller PCBs (e.g. BUFFER 1, SWITCH 1, BALANCED 1 and 2 and our other circuits with PCB size 65x50mm).

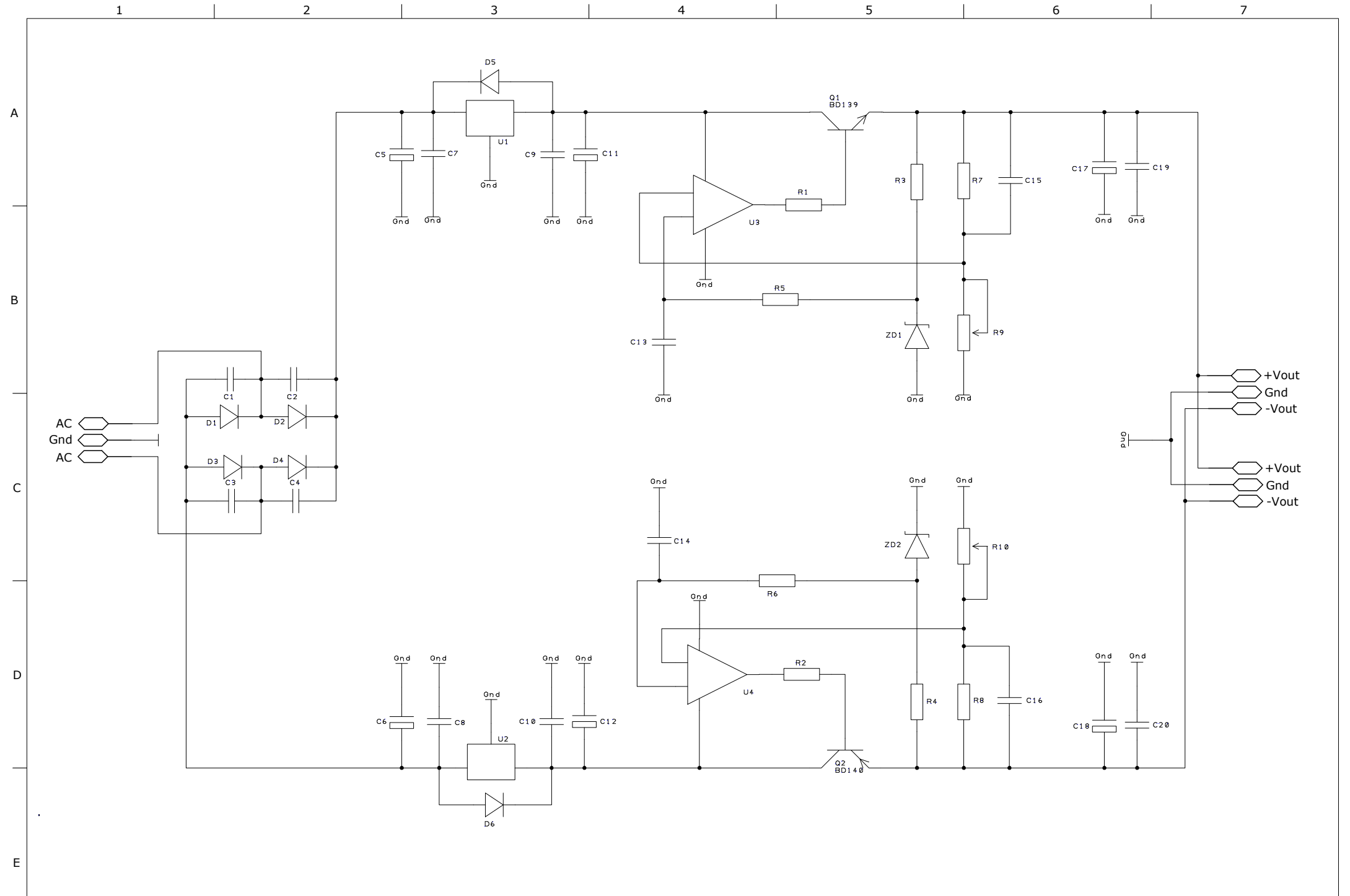


Connection to the PCB

The PSU 1 is very versatile and following connection methods can be used on the PCB (all holes has 2.54mm/.100" pitch):

- Soldered wire connections (PCB hole dia. 1.20 mm/0.0047")
- Pin Headers (not included)
- Molex KK 6410/7395 Series Connectors (not included)
- WAGO Easy Clamp 233/234 Series Connectors (not included)
- Terminal Blocks etc. (not included)





Date	15.07.2006	Date	14.02.2008	Date		Date		Released
Rev.	1.0	Rev.	1.1	Rev.		Rev.		Status
Size	A4	Code		Dept.	R&D	Drawn by	JD	Sheet
								1 of 1